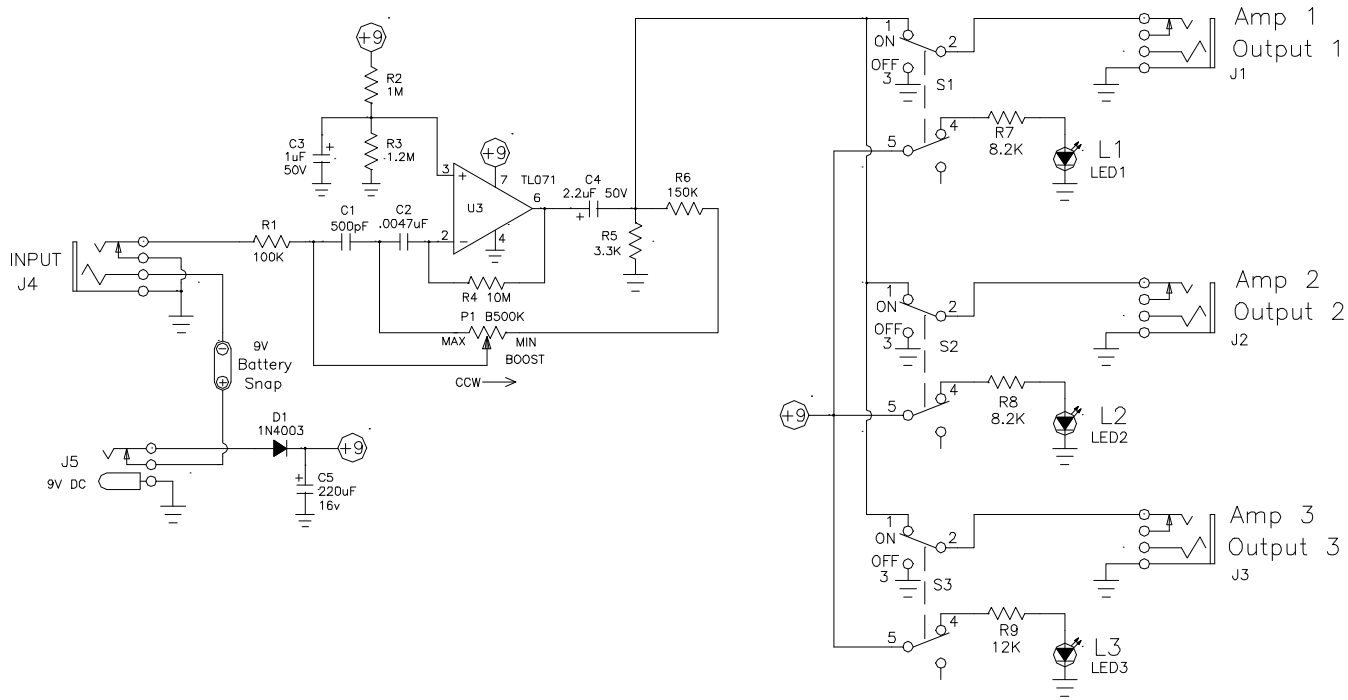


SCHMTRIPLER

11-17-03

ENGINEERING

REVISIONS				
ZONE	REV	DESCRIPTION	DATE	APPROVED



THIS PRINT
HAS BEEN APPROVED
FOR PRODUCTION
APPROVED: S.F. DATE: 11/17/03

UNLESS OTHERWISE SPECIFIED:
DIMENSIONS ARE IN INCHES.
TOLERANCES
All Resistors +/- 10%
All Capacitors +/- 20%

SOUND ENHANCEMENTS, INC.
185 DETROIT ST., CARY IL. 60013
(847) 639-4646

Tripler

This drawing and the information contained herein is the exclusive property of Sound Enhancements Inc. Reproduction or use of this information in any form, without our prior written approval, is prohibited.	DRAWN	SCOTT FLESHER	SIZE	FSCM NO.	FILE NAME	REV
	APPD		A		schmtripler.dwg	A
	CHECKED		SCALE	N.T.S.	STATUS	CURRENT
	DATE	11-17-03				