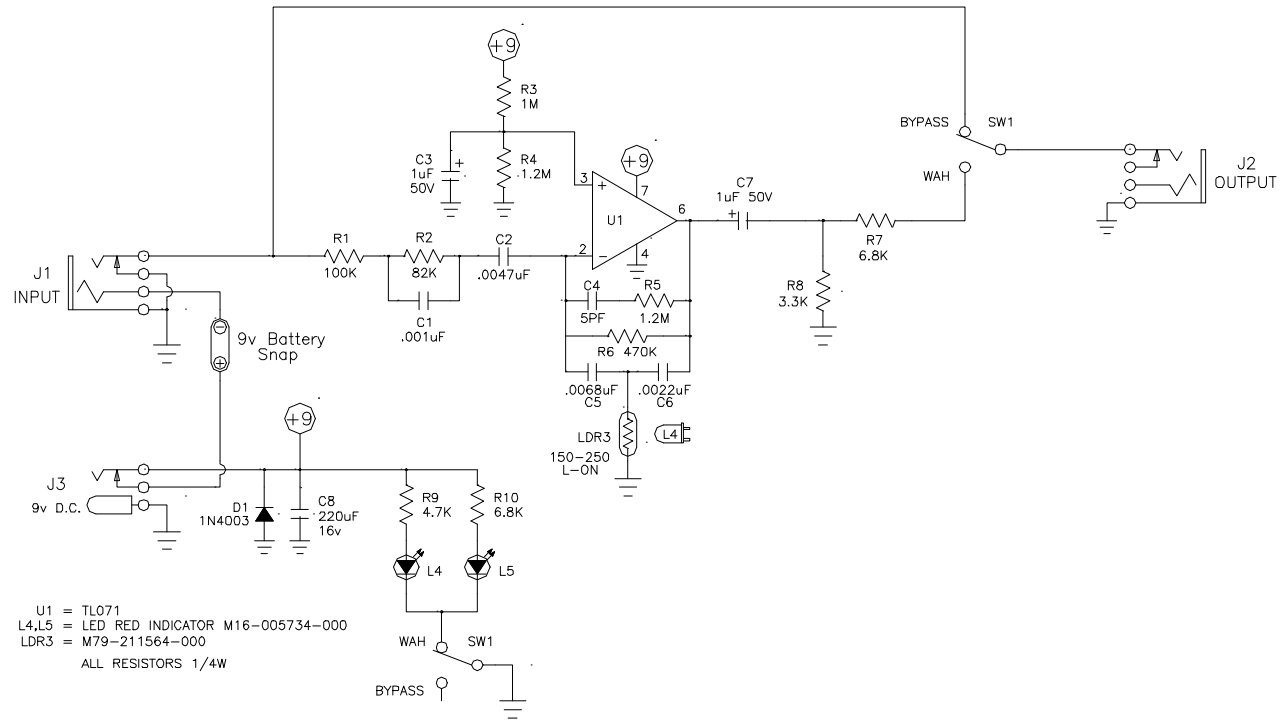


REVISIONS				
ZONE	REV	DESCRIPTION	DATE	APPROVED



U1 = TL071
 L4,L5 = LED RED INDICATOR M16-005734-000
 LDR3 = M79-211564-000
 ALL RESISTORS 1/4W

THIS PRINT
 HAS BEEN APPROVED
 FOR PRODUCTION
 APPROVED: S.F. DATE: 1/25/02

UNLESS OTHERWISE SPECIFIED:

ALL RESISTORS 1/4 WATT
 ALL RESISTORS 5 %

MORLEY

SOUND ENHANCEMENTS, INC.
 185 DETROIT ST., CARY IL. 60013
 (847) 639-4646

CLASSIC WAH (CLW)

This drawing and the information contained herein is the exclusive property of Sound Enhancements Inc. Reproduction or use of this information in any form, without our prior written approval, is prohibited.

DRAWN SCOTT FLESHER
 Part No. 201-000102-000

SIZE A	FSCM NO.	FILE NAME schmclw1.dwg	REV A
-----------	----------	---------------------------	----------

DATE 1-25-02

SCALE N.T.S.	STATUS CURRENT
-----------------	-------------------