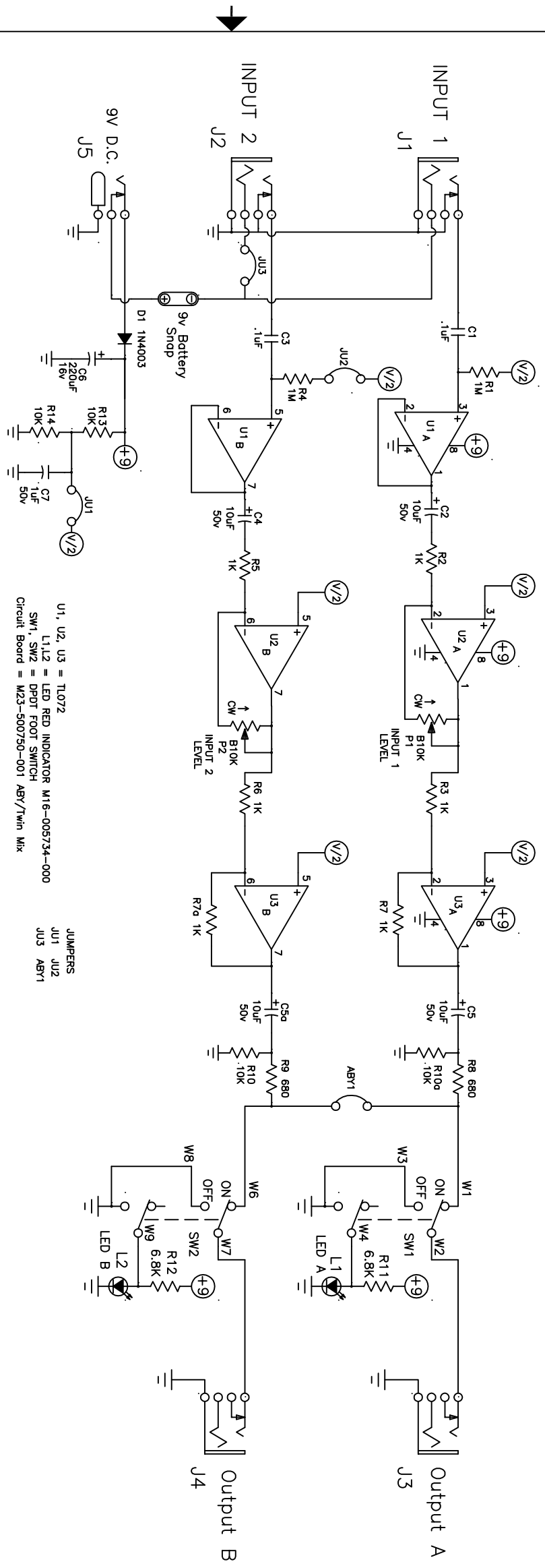


REVISIONS				
ZONE	REV	DESCRIPTION	DATE	APPROVED
	A	Original	11-21-09	S.F.
	B	Update for ABY/Twin Mix Board	2-12-11	S.F.



THIS PRINT
 HAS BEEN APPROVED
 FOR PRODUCTION
 APPROVED: S.F. DATE: 2/12/11

UNLESS OTHERWISE SPECIFIED:
 ALL RESISTORS 1/4W
 ALL RESISTORS +/- 5%



SOUND ENHANCEMENT PRODUCTS, INC.
 325 Cary Point Dr., Cary IL 60013
 (847) 639-4646

ABY MIX 2

DRAWN	SCOTT FLESHER	SIZE	FSCM NO.	FILE NAME	REV
Part No.	201-000602-100	B		schmabymix2.dwg	B
DATE	2-12-11	SCALE	N.T.S.	STATUS:	CURRENT

This drawing and the information contained herein is the exclusive property of Sound Enhancements Inc. Reproduction or use of this information in any form, without our prior written approval, is prohibited.